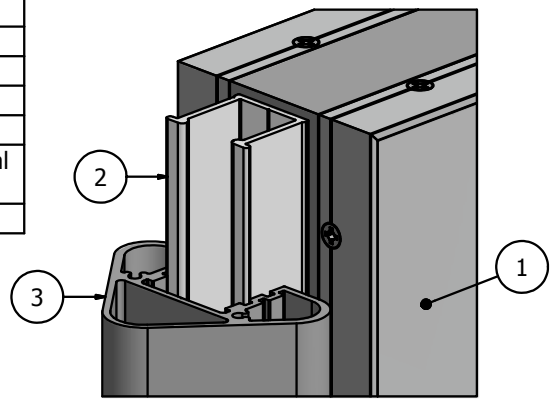
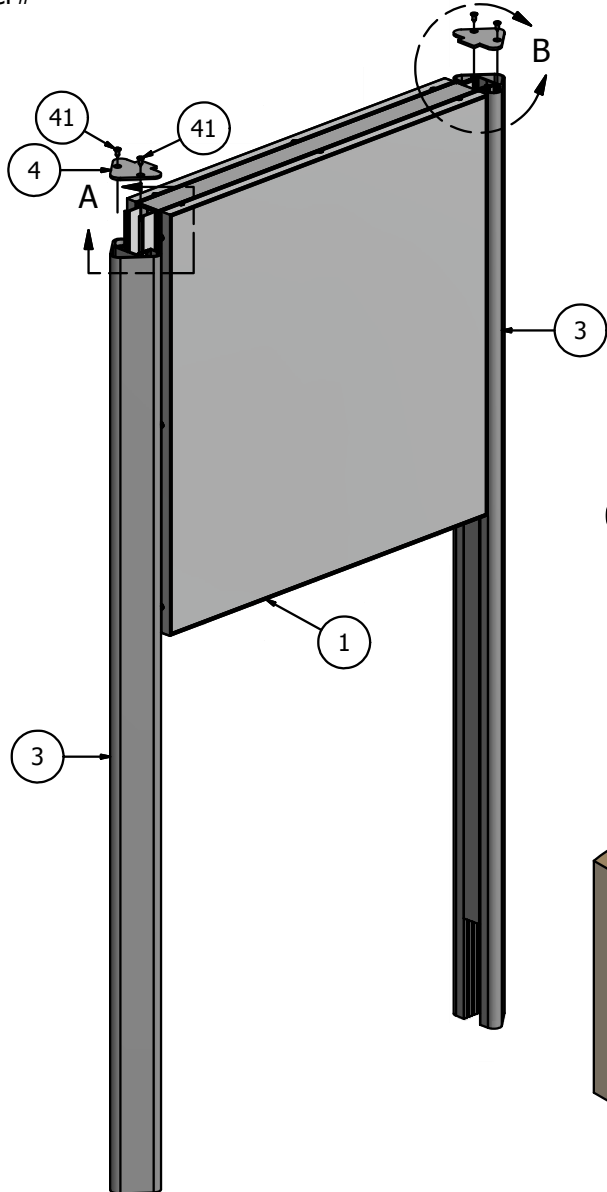
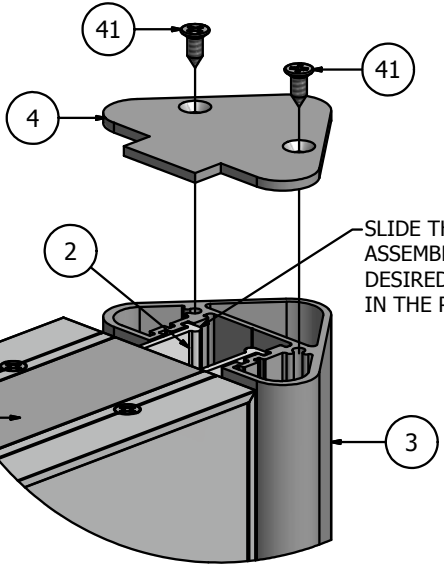


| PARTS LIST | | | |
|------------|----------|---|---|
| ITEM | PART# | DESCRIPTION | NOTES |
| 1 | K1290/92 | Series 3 Access Body w/ Bleed Cover | Assembly |
| 2 | 1200 | Series 2/3 Reveal | Attaches to the Body |
| 3 | K1250 | Series 3 Triangle Post w/ Radius Edges | Assembly |
| 4 | Post Cap | Series 3 Triangle Post w/ Radius Edges Post Cap | Zero Reveal #5400, 3/8" Reveal #5401, 3/4" Reveal #5402 |
| 41 | 5040 | Cap Screw | #10 Countersink |

Ship To:
Sales Order#

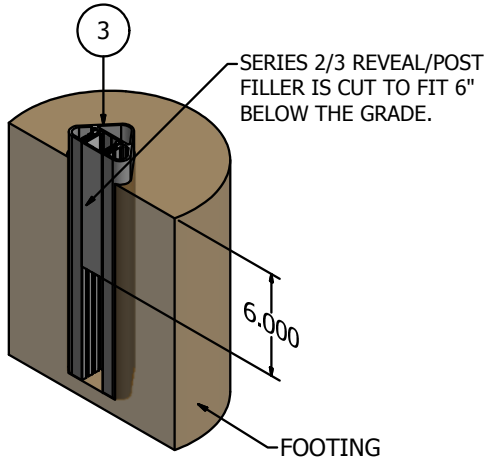


DETAIL A



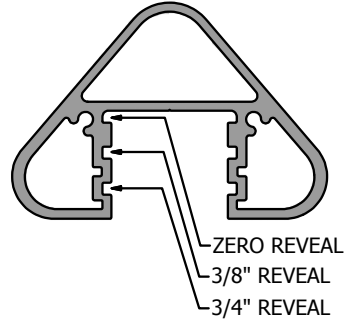
DETAIL B

SLIDE THE BODY/CABINET ASSEMBLY INTO THE DESIRED REVEAL POSITION IN THE POST.



SERIES 2/3 REVEAL/POST FILLER IS CUT TO FIT 6" BELOW THE GRADE.

REVEAL SETTING OPTIONS



NOTE: PRE-CUT KITS ARE NOT PRE-DRILLED.
(Holes shown in this drawing are for reference only. Drilling of pilot holes are to be done by fabricator.)

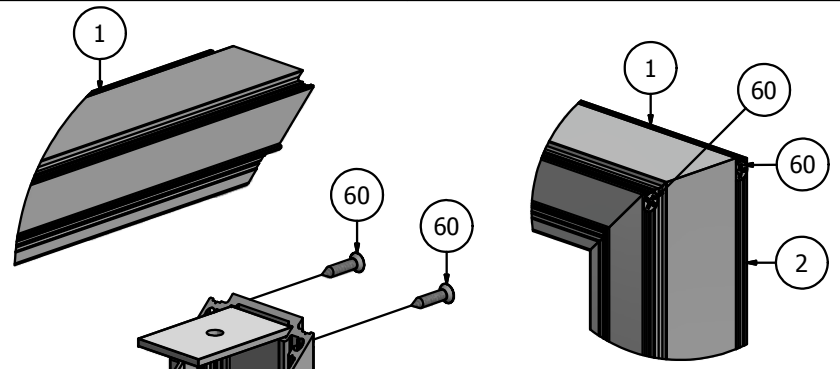
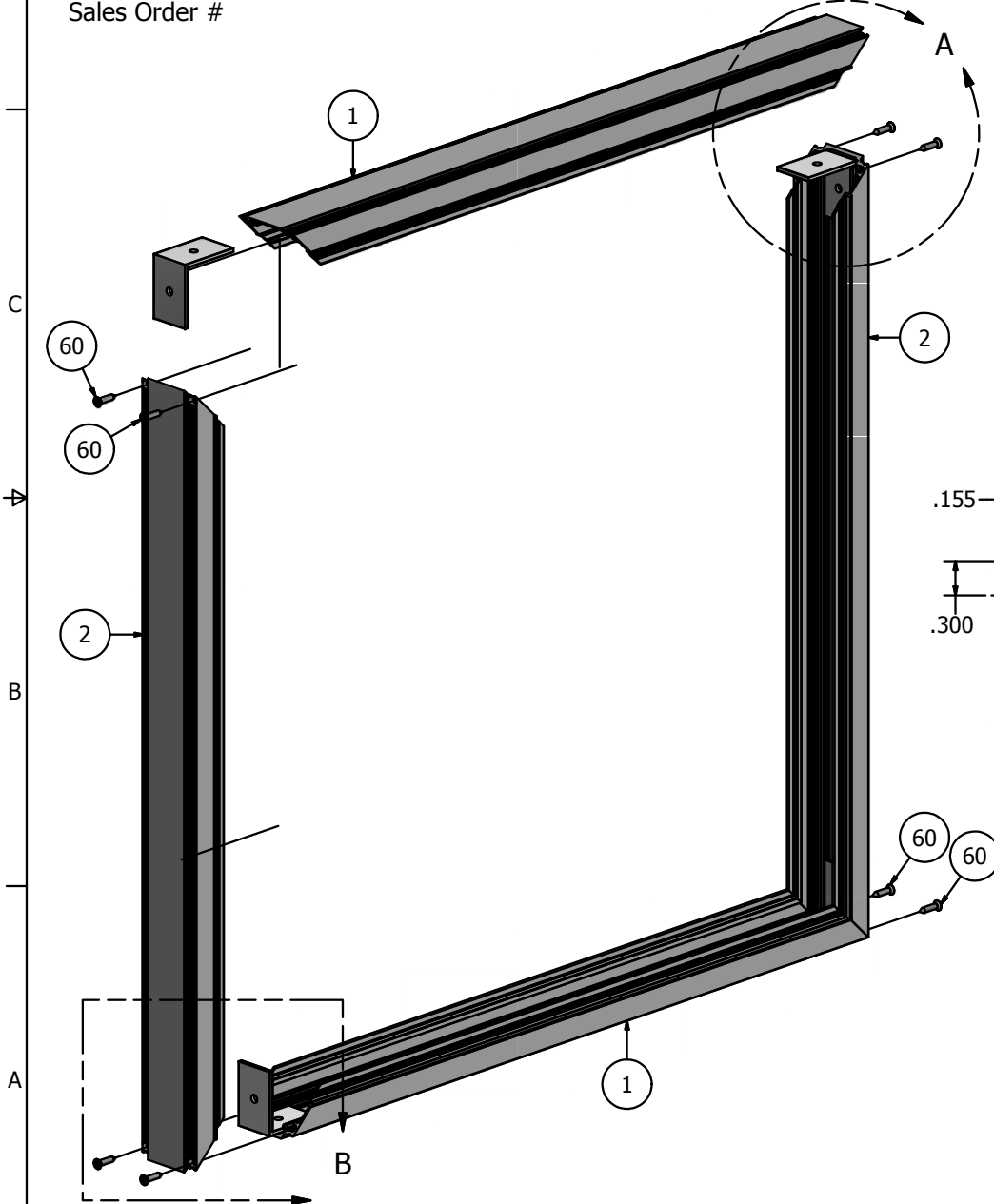
THIS DRAWING WAS CREATED AT NO CHARGE TO ASSIST YOU IN VISUALIZING OUR PROPOSAL. THE DRAWING HEREIN IS THE PROPERTY OF SIGNCOMP. PERMISSION TO COPY OR REVISE THIS DRAWING OR TO USE THIS DRAWING FOR PRODUCTION IS STRICTLY PROHIBITED AND CAN ONLY BE COPIED, REVISED OR USED FOR PRODUCTION WITH THE EXPRESSED WRITTEN PERMISSION OF SIGNCOMP.

| | | |
|-----------------------|-----------------------|-----------|
| DRAWN | SBreihof | 9/27/2012 |
| Centroid X: | 0.000 in | |
| Centroid Y: | 0.000 in | |
| Principal Moments Ix: | 0.000 in ⁴ | |
| Principal Moments Iy: | 0.000 in ⁴ | |
| Section Modulus Ix: | 0.000 in ³ | |
| Section Modulus Iy: | 0.000 in ³ | |

| | |
|--|--------------------|
| SignComp | |
| TITLE Series 3 - Access Body w/ Bleed Cover - Series 3 Triangle Post w/ Radius Edges - Assembly | |
| DWG NO | K1290/92/50 |
| REV | |

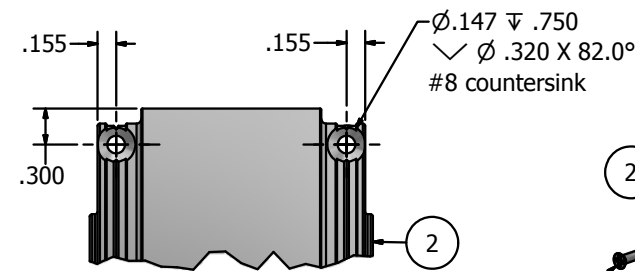
| PARTS LIST | | | |
|------------|-------|-----------------------------------|-------------------------|
| ITEM | PART# | DESCRIPTION | NOTES |
| 1 | 1290 | Series 3 Access Body | Top & Bottom |
| 2 | 1290 | Series 3 Access Body | Sides |
| 60 | 5241 | Access Body Corner Screw | See Hole Detail |
| 6 | 5339 | Series 3 Access Body Corner Angle | One (1) per body corner |

Ship To:
Sales Order #

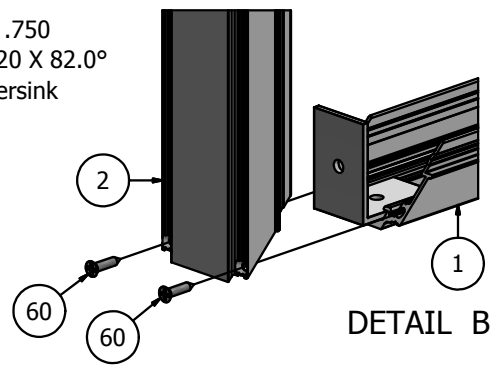


DETAIL A-1

DETAIL A-2



HOLE DETAIL
DRILLED BY OTHER



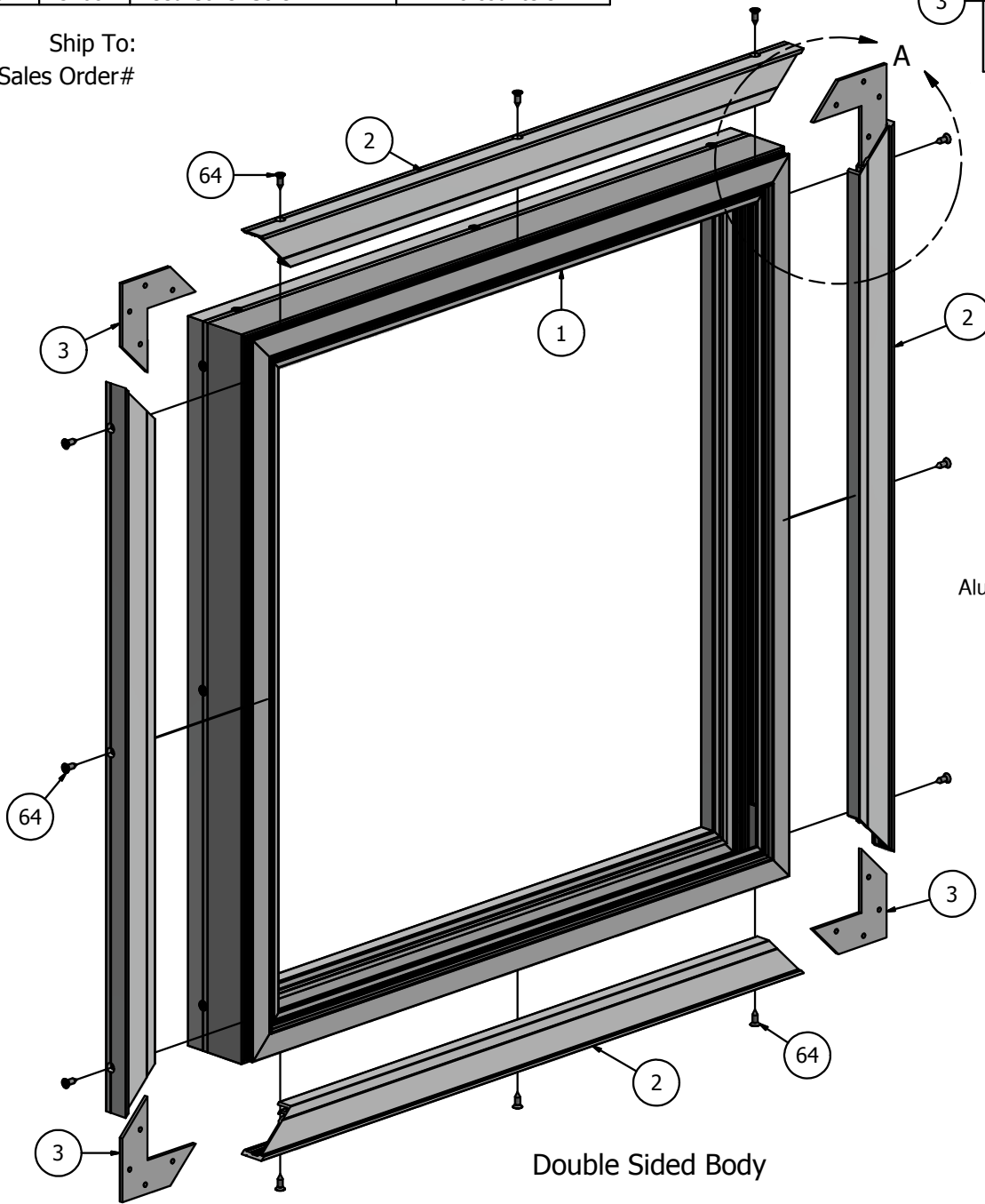
DETAIL B

NOTE: PRE-CUT KITS ARE NOT PRE-DRILLED.
(Holes shown in this drawing are for reference only.
Drilling of pilot holes are to be done by fabricator.)

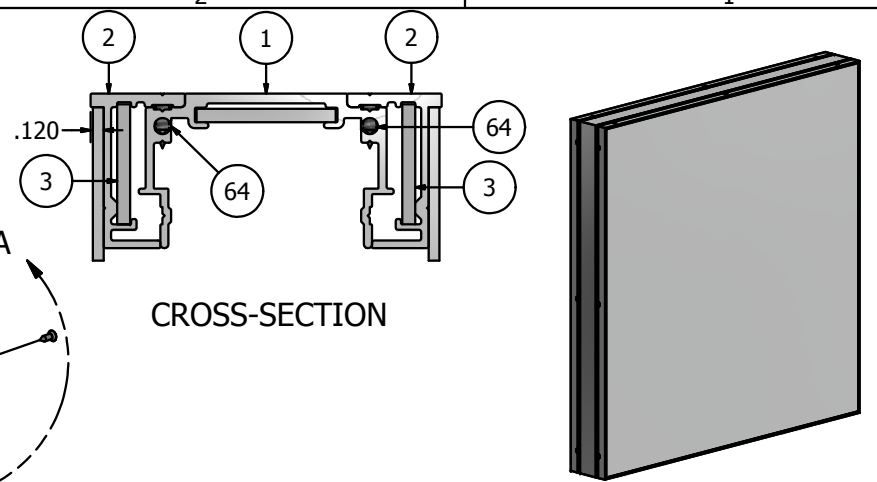
| | | |
|---|------------|------------------------|
| THIS DRAWING WAS CREATED AT NO CHARGE TO ASSIST YOU IN VISUALIZING OUR PROPOSAL. THE DRAWING HEREIN IS THE PROPERTY OF SIGNCOMP. PERMISSION TO COPY OR REVISE THIS DRAWING OR TO USE THIS DRAWING FOR PRODUCTION IS STRICTLY PROHIBITED AND CAN ONLY BE COPIED, REVISED OR USED FOR PRODUCTION WITH THE EXPRESSED WRITTEN PERMISSION OF SIGNCOMP. | | |
| DRAWN | SBreihof | 9/7/2012 |
| Centroid X: | 0.000 in | |
| Centroid Y: | 0.000 in | |
| Principal Moments Ix: | 0.000 in^4 | |
| Principal Moments Iy: | 0.000 in^4 | |
| Section Modulus Ix: | 0.000 in^3 | |
| Section Modulus Iy: | 0.000 in^3 | |
| <div style="text-align: center;">SignComp</div> | | TITLE |
| | | Series 3 - Access Body |
| DWG NO | | REV |
| K1290 | | |
| SHEET 1 OF 1 | | |

| PARTS LIST | | | |
|------------|-------|----------------------|----------------------|
| ITEM | PART# | DESCRIPTION | NOTES |
| 1 | 1290 | Series 3 Access Body | Assembly |
| 2 | 1692 | Bleed Cover | |
| 3 | 5210 | Corner Key | |
| 64 | 5168 | Bleed Cover Screw | Drill #8 countersink |

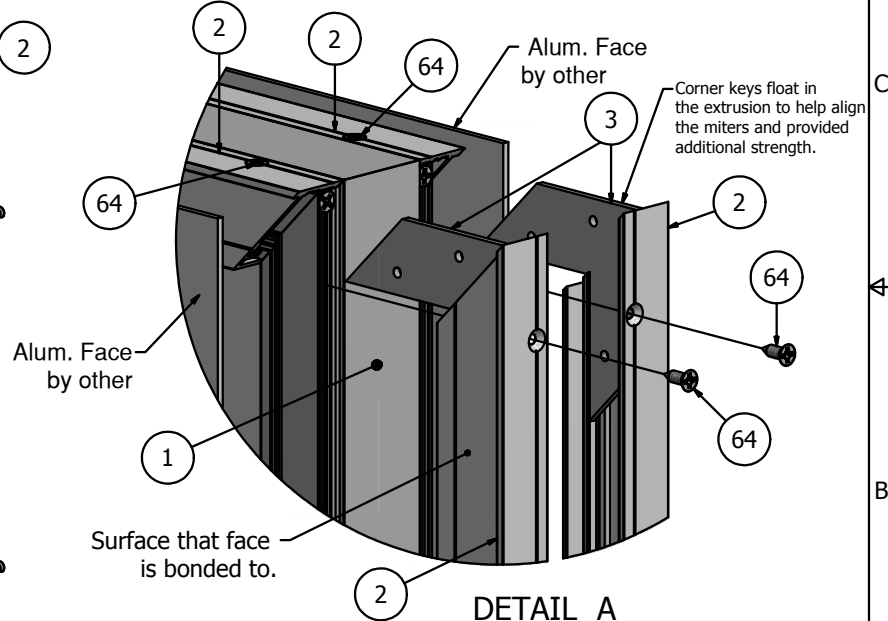
Ship To:
Sales Order#



Double Sided Body



CROSS-SECTION



DETAIL A

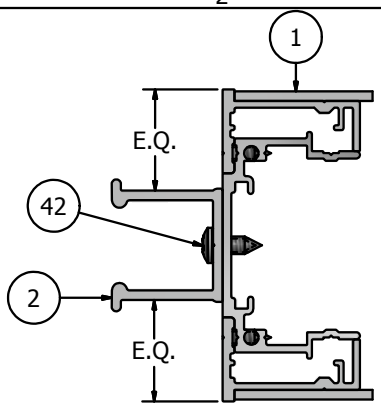
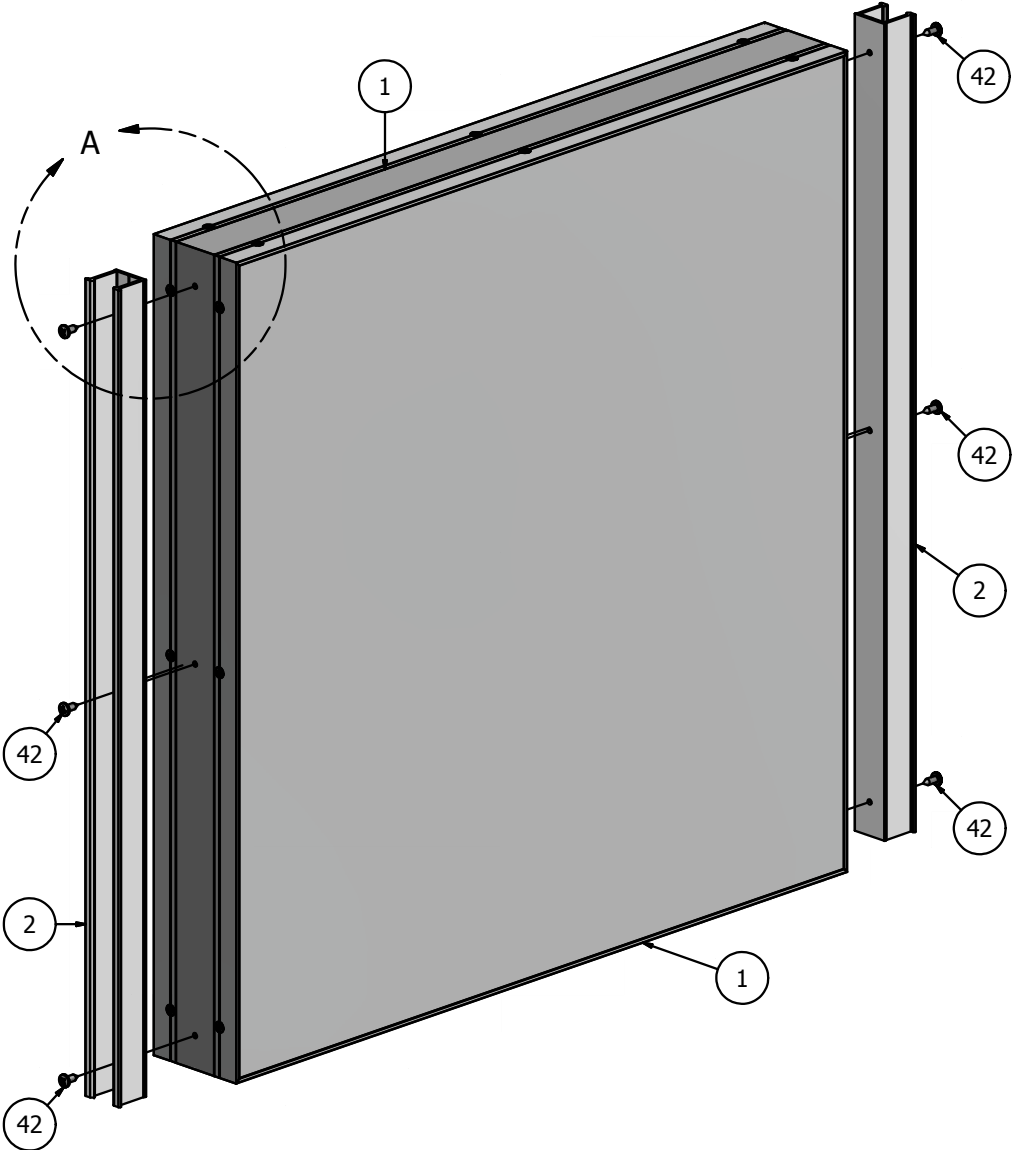
NOTE: PRE-CUT KITS ARE NOT PRE-DRILLED.
(Holes shown in this drawing are for reference only.
Drilling of pilot holes are to be done by fabricator.)

THIS DRAWING WAS CREATED AT NO CHARGE TO ASSIST YOU IN VISUALIZING OUR PROPOSAL. THE DRAWING HEREIN IS THE PROPERTY OF SIGNCOMP. PERMISSION TO COPY OR REVISE THIS DRAWING OR TO USE THIS DRAWING FOR PRODUCTION IS STRICTLY PROHIBITED AND CAN ONLY BE COPIED, REVISED OR USED FOR PRODUCTION WITH THE EXPRESSED WRITTEN PERMISSION OF SIGNCOMP.

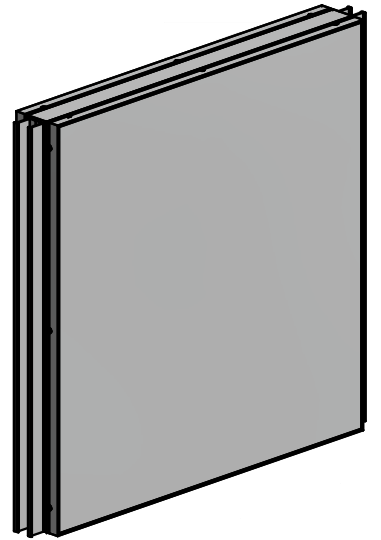
| | | | |
|-----------------------|-----------------------|--|-----------------|
| DRAWN | SBreihof | 9/10/2012 | SignComp |
| Centroid X: | 0.000 in | TITLE | |
| Centroid Y: | 0.000 in | Series 3 - Access Body w/ Bleed Cover - Assembly | REV |
| Principal Moments Ix: | 0.000 in ⁴ | DWG NO | |
| Principal Moments Iy: | 0.000 in ⁴ | K1290/92 | |
| Section Modulus Ix: | 0.000 in ³ | SHEET 1 OF 1 | |
| Section Modulus Iy: | 0.000 in ³ | | |

| PARTS LIST | | | |
|------------|----------|-------------------------------------|------------------------|
| ITEM | PART# | DESCRIPTION | NOTES |
| 1 | K1290/92 | Series 3 Access Body w/ Bleed Cover | Assembly |
| 2 | 1200 | Series 2/3 Reveal | |
| 42 | 5218 | Reveal to Body Screw | Drill 5/32" pilot hole |

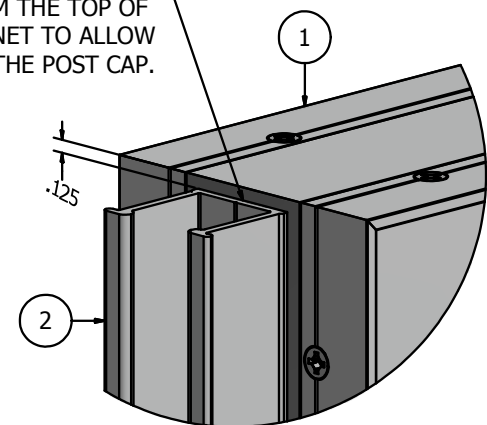
Ship To:
Sales Order#



VERTICAL SECTION VIEW



REVEAL IS FASTENED 1/8" DOWN FROM THE TOP OF THE CABINET TO ALLOW FOR THE POST CAP.



DETAIL A
ASSEMBLED

NOTE: PRE-CUT KITS ARE NOT PRE-DRILLED.

(Holes shown in this drawing are for reference only. Drilling of pilot holes are to be done by fabricator.)

THIS DRAWING WAS CREATED AT NO CHARGE TO ASSIST YOU IN VISUALIZING OUR PROPOSAL. THE DRAWING HEREIN IS THE PROPERTY OF SIGNCOMP. PERMISSION TO COPY OR REVISE THIS DRAWING OR TO USE THIS DRAWING FOR PRODUCTION IS STRICTLY PROHIBITED AND CAN ONLY BE COPIED, REVISED OR USED FOR PRODUCTION WITH THE EXPRESSED WRITTEN PERMISSION OF SIGNCOMP.

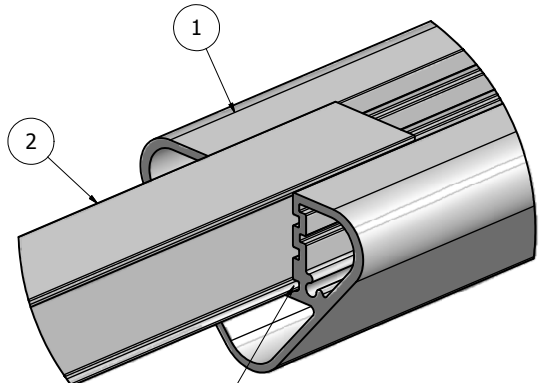
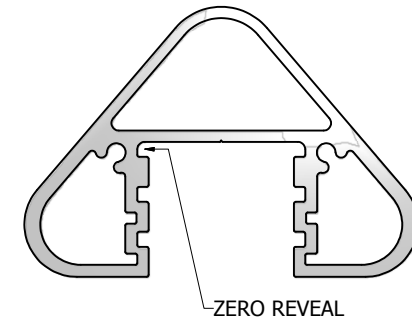
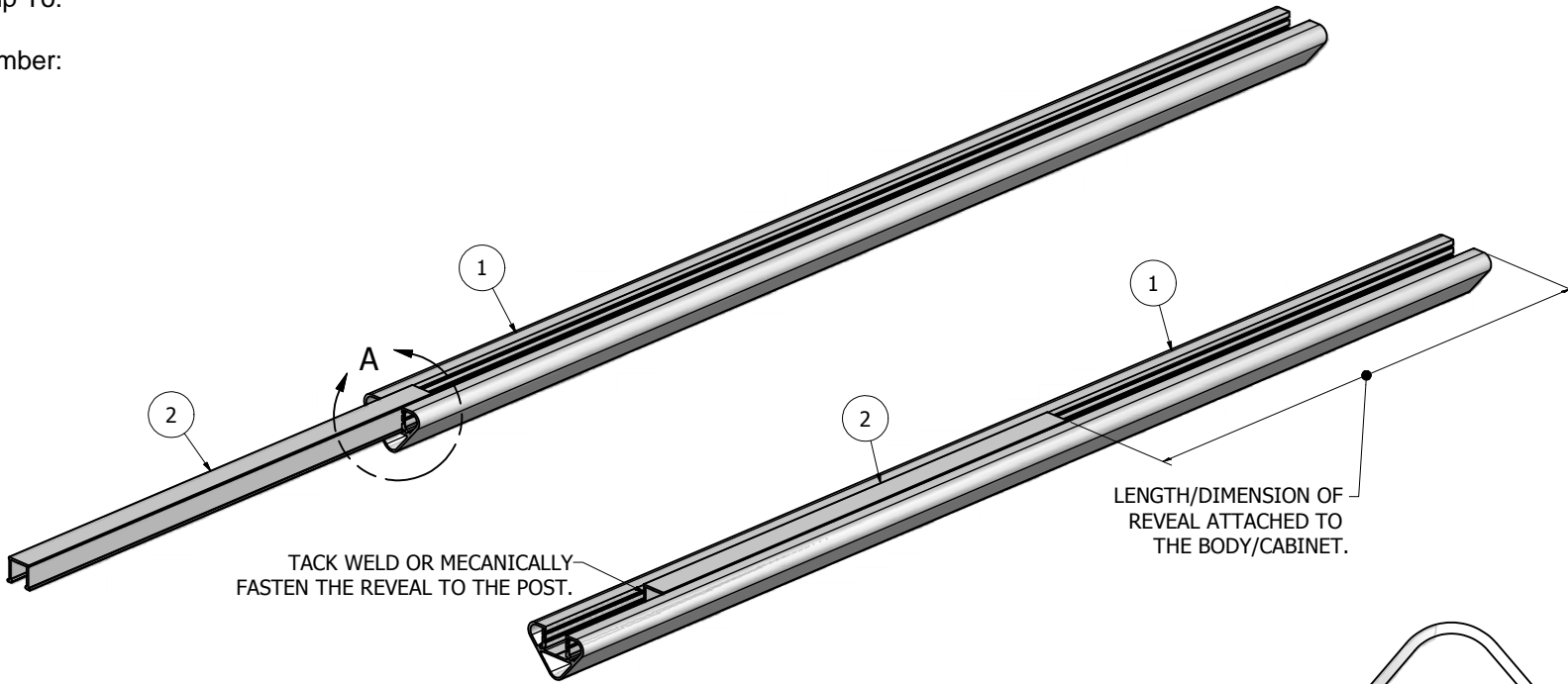
| | | |
|-----------------------|-----------------------|-----------|
| DRAWN | SBreihof | 9/19/2012 |
| Centroid X: | 0.000 in | |
| Centroid Y: | 0.000 in | |
| Principal Moments Ix: | 0.000 in ⁴ | |
| Principal Moments Iy: | 0.000 in ⁴ | |
| Section Modulus Ix: | 0.000 in ³ | |
| Section Modulus Iy: | 0.000 in ³ | |

| | | |
|-----------------|--------------------------|--|
| SignComp | | TITLE |
| | | Series 3 - Access Body w/ Bleed Cover - Series 2/3 Reveal - Assembly |
| DWG NO | K1290/92 - Reveal | REV |
| SHEET 1 OF 1 | | |

| Parts List | | | |
|------------|--------|--|--|
| ITEM | PART # | DESCRIPTION | NOTE |
| 1 | 1250 | Series 3, 3-1/4" Triangular Post with Radius Edges | |
| 2 | 1200 | Series 2/3 Reveal | Tack weld or mechanically fasten to post |

Ship To:

Order Number:



INSERT THE REVEAL/FILLER INTO THE ZERO REVEAL POSTION. SLIDED IT UP INTO THE POST.

NOTE: PRE-CUT KITS ARE NOT PRE-DRILLED.

(Holes shown in this drawing are for reference only. Drilling of pilot holes are to be done by fabricator.)

THIS DRAWING WAS CREATED AT NO CHARGE TO ASSIST YOU IN VISUALIZING OUR PROPOSAL. THE DRAWING HEREIN IS THE PROPERTY OF SIGNCOMP. PERMISSION TO COPY OR REVISE THIS DRAWING OR TO USE THIS DRAWING FOR PRODUCTION IS STRICTLY PROHIBITED AND CAN ONLY BE COPIED, REVISED OR USED FOR PRODUCTION WITH THE EXPRESSED WRITTEN PERMISSION OF SIGNCOMP.

| | | | |
|----------|-----------|--|--------------|
| DRAWN | 4/20/2010 | SignComp | |
| CHECKED | | | |
| QA | | TITLE | |
| MFG | | Series 3, 3-1/4" Triangular Post with Radius Edges - Series 2/3 Reveal - Assembly | |
| APPROVED | | SIZE | DWG NO |
| | | C | 1250-00 |
| | | SCALE | SHEET 1 OF 1 |